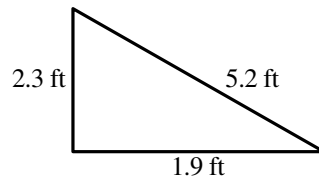


- Convert 27 ft to yd.
- Convert 29 mg to g.
- Convert 30 km/hr to mi/hr.
- Convert 25 m to yd.
- A chemist 5 L of solution. She needs to place it into 20 equally sized containers. How many milliliters will be contained in each jar?

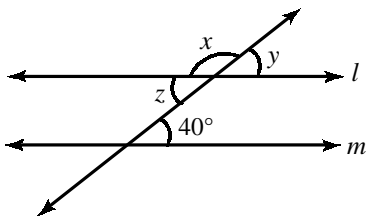
- Convert 29 mg to g.
- Convert 25 m to yd.
- Find the perimeter of the triangle below and express the answer in meters.



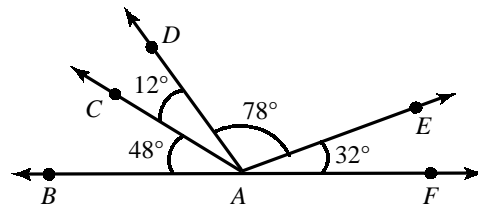
- Convert 32 oz to g.
- Find the volume of a cylinder with radius 3 cm and height 7 cm.
- Find the volume of a cylinder with radius 3 cm and height 7 cm.
- A chemical spill in the shape of a cone has polluted a volume of ground. The depth of the cone-shaped spill is 33 yd and the radius is 13 yd. Find the volume of polluted ground. Round to the nearest yard.

- The unit price for a rare spice is \$5.40 per oz. How much would be paid for 3 g of this spice?

- In the figure shown below, line ℓ is parallel to line m . Find the measure of $\angle x$.



- In the figure below, which angle is complementary to $\angle CAD$?



13. Simplify: $\sqrt{49} - \sqrt{16}$

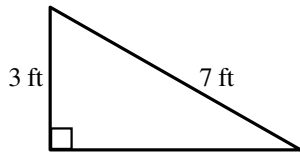
14. Simplify: $\sqrt{\frac{4}{25}}$

For the remaining problems use $\pi \approx 3.14$ and round to the nearest hundredth if necessary.

15. Find the circumference of a circle with diameter 6 in.

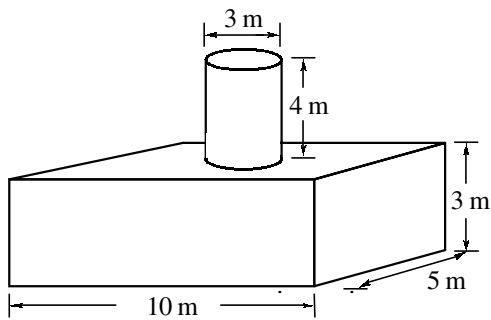
16. Find the area of a circle with diameter 6 in.

17. Find the missing side of the triangle below.



18. Find the volume of a pyramid that is 10 m high and whose rectangular base measures 16 m by 12 m.

19. Find the volume of the solid shown below.



20. Find the missing side n in the similar triangles below.

